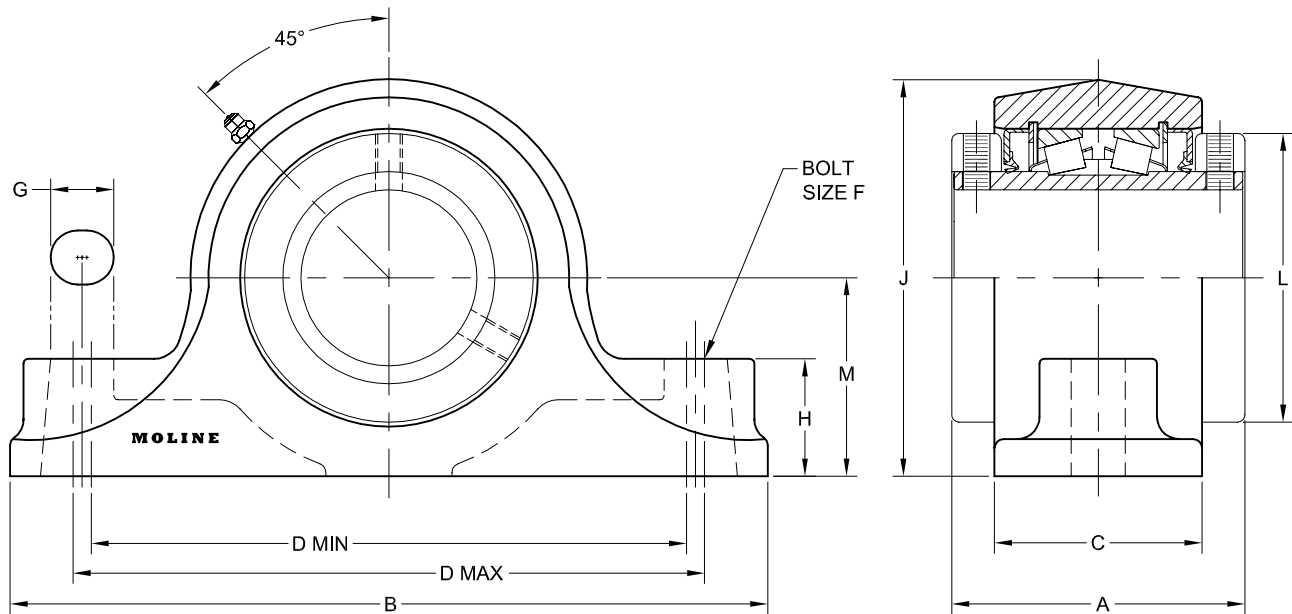


TYPE E 2-BOLT PILLOW BLOCK

SHAFT SIZE	MOLINE PART #	DIMENSIONS (INCHES)												WEIGHT LBS.
		A	B	C	MIN D	CENTER TO CENTER D	MAX D	F	G	H	J	L	M	
1 3/16 1 1/4	19321103 19321104	2 3/4	6	1 7/8	4 5/8	4 3/4	4 7/8	3/8	1 9/32	7/8	3	2 1/4	1 1/2	4
1 3/8 1 7/16 35 mm	19321106 19321107 19321035	3	7 3/8	2 1/8	5 5/8	5 3/4	5 7/8	1/2	3/4	1 1/8	3 3/4	2 3/4	1 7/8	6.9
1 1/2 1 5/8 1 11/16 40 mm	19321108 19321110 19321111 19321040	3 3/8	7 7/8	2 3/8	6 1/8	6 1/4	6 3/8	1/2	3/4	1 1/4	4 1/4	3 3/16	2 1/8	9.5
1 3/4 1 7/8 1 15/16 2 45 mm 50 mm	19321112 19321114 19321115 19321200 19321045 19321050	3 1/2	8 7/8	2 1/2	6 7/8	7	7 1/8	5/8	7/8	1 5/16	4 1/2	3 3/8	2 1/4	11
2 3/16 55 mm	19321203 19321055	3 3/4	9 5/8	2 5/8	7 5/8	7 3/4	7 7/8	5/8	7/8	1 1/2	5	3 3/4	2 1/2	14
2 1/4 2 7/16 2 1/2 60 mm 65 mm	19321204 19321207 19321208 19321060 19321065	4	10 1/2	2 7/8	8 3/8	8 1/2	8 5/8	5/8	7/8	1 5/8	5 1/2	4	2 3/4	19
2 11/16 2 3/4 2 15/16 3 70 mm 75 mm	19321211 19321212 19321215 19321300 19321070 19321075	4 1/2	12	3	9 5/16	9 1/2	9 11/16	3/4	1	1 7/8	6 1/4	4 11/16	3 1/8	26
3 3/16 3 1/4 3 7/16 3 1/2 80 mm 85 mm 90 mm	19321303 19321304 19321307 19321308 19321080 19321085 19321090	5	14	3 5/8	10 3/16	11	11 3/16	7/8	1 3/16	2 1/4	7 1/2	5 15/16	3 3/4	44



TYPE E 2-BOLT PILLOW BLOCK



For personal service and special requests, please call us at 800.242.4633.

CAD drawings available upon request at no additional charge.

Furnished in non-expansion type only.

For nomenclature see pages 190 and 191.



Post Office Box 99, Batavia, Illinois 60510, USA
630.584.4600, 800.242.4633, 630.584.1999 fax
www.molinebearing.com, sales@molinebearing.com

MOLINE BEARING CO.

TEL # **800.242.4633**

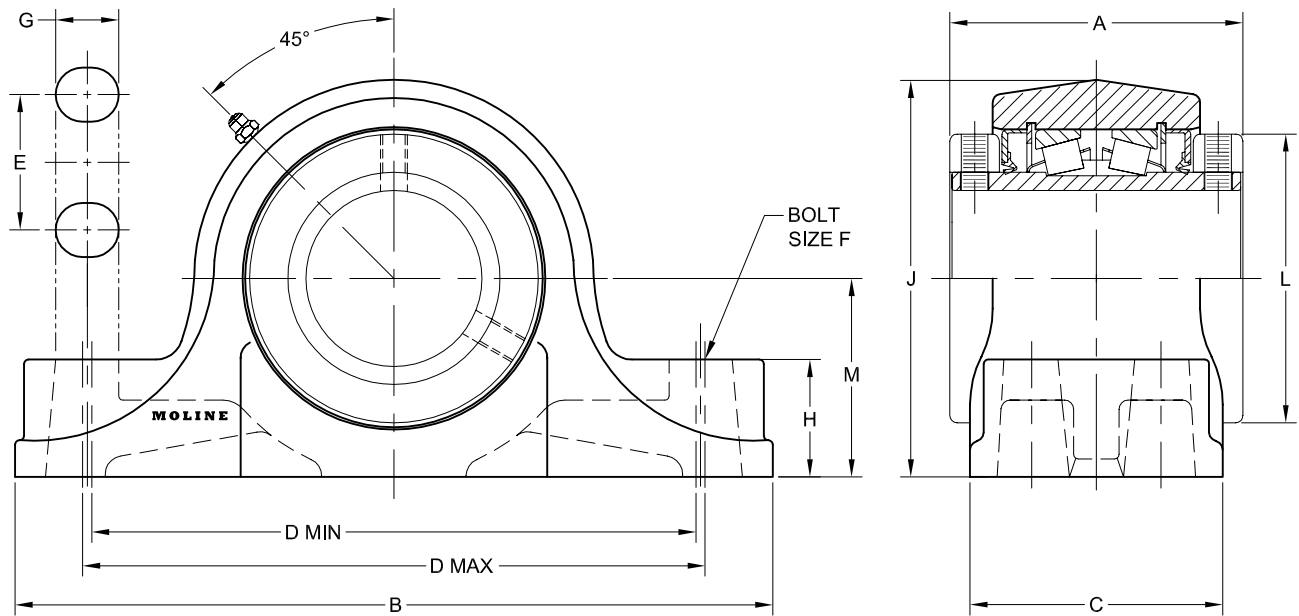
19

TYPE E 4-BOLT PILLOW BLOCK

SHAFT SIZE	MOLINE PART #	DIMENSIONS (INCHES)													WEIGHT LBS.
		A	B	C	MIN D	CENTER TO CENTER D	MAX D	E	F	G	H	J	L	M	
2 ¼ 2 7/16 2 ½ 60mm 65mm	19341204 19341207 19341208 19341060 19341065	4	10 ½	3 ½	8 5/16	8 ½	8 11/16	1 7/8	5/8	7/8	1 5/8	5 ½	4	2 ¾	19
2 11/16 2 ¾ 2 15/16 3 70mm 75mm	19341211 19341212 19341215 19341300 19341070 19341075	4 ½	12	4	9 3/16	9 ½	9 13/16	2 ½	5/8	7/8	1 7/8	6 ¼	4 11/16	3 ½	26
3 3/16 3 ¼ 3 7/16 3 ½ 80mm 85mm 90mm	19341303 19341304 19341307 19341308 19341080 19341085 19341090	5	14	4 ½	10 ¾	11	11 ¼	2 3/8	¾	1 3/16	2 ¼	7 ½	5 5/16	3 ¾	44
3 15/16 4 100mm	19341315 19341400 19341100	6 ¼	15 ¼	4 ½	12 ¼	12 ½	12 ¾	2 ¼	¾	1 1/8	2 7/16	8 ½	5 ¾	4 ¼	65



TYPE E 4-BOLT PILLOW BLOCK



For personal service and special requests, please call us at 800.242.4633.

CAD drawings available upon request at no additional charge.

Furnished in non-expansion type only.

For nomenclature see pages 190 and 191.



MOLINE BEARING CO.

Post Office Box 99, Batavia, Illinois 60510, USA
630.584.4600, 800.242.4633, 630.584.1999 fax
www.molinebearing.com, sales@molinebearing.com

TEL # **800.242.4633**

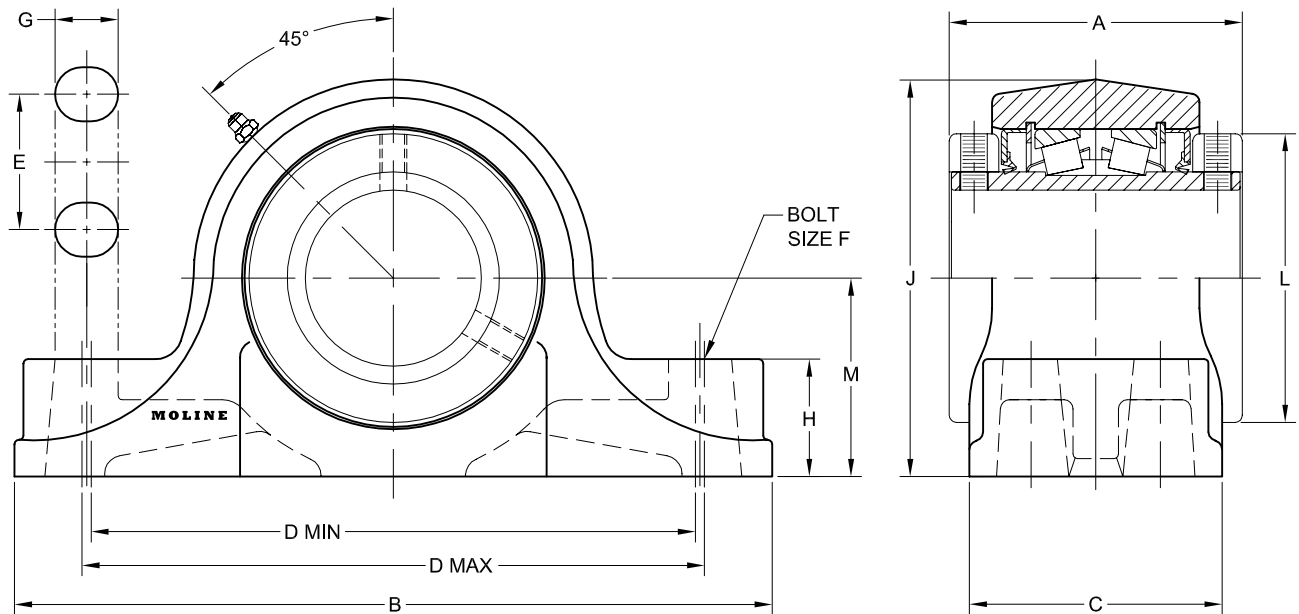
21

TYPE E 4-BOLT PILLOW BLOCK CONTINUED

SHAFT SIZE	MOLINE PART #	DIMENSIONS (INCHES)													WEIGHT LBS.
		A	B	C	MIN D	CENTER TO CENTER D	MAX D	E	F	G	H	J	L	M	
4 ⁷ / ₁₆ 4 ¹ / ₂ 110mm 115mm	19341407 19341408 19341110 19341115	6 ³ / ₄	16 ⁵ / ₈	4 ⁵ / ₈	13 ¹ / ₄	13 ¹ / ₂	13 ³ / ₄	2 ¹ / ₂	³ / ₄	1 ¹ / ₈	2 ³ / ₄	9 ³ / ₈	6 ¹ / ₄	4 ³ / ₄	81
4 ¹⁵ / ₁₆ 5 125mm	19341415 19341500 19341125	7 ¹ / ₄	18 ¹ / ₂	5 ¹ / ₈	15 ¹ / ₄	15 ¹ / ₂	15 ³ / ₄	2 ⁷ / ₈	⁷ / ₈	1 ¹ / ₄	3	10 ⁷ / ₈	7 ¹ / ₄	5 ¹ / ₂	132
5 ⁷ / ₁₆ 5 ¹⁵ / ₁₆ 6 130mm 135mm 140mm	19341507 19341515 19341600 19341130 19341135 19341140	9	22	6 ¹ / ₄	17 ³ / ₈	18 ¹ / ₄	19 ¹ / ₈	3 ³ / ₄	1	2	3 ¹ / ₄	13 ³ / ₁₆	9 ³ / ₈	6 ¹¹ / ₁₆	243
6 ⁷ / ₁₆ 6 ¹ / ₂ 6 ¹⁵ / ₁₆ 7 160mm 170mm	19341607 19341608 19341615 19341700 19341160 19341170	10 ¹ / ₂	26	7 ¹ / ₈	21 ¹ / ₄	22 ¹ / ₄	23 ¹ / ₄	4 ⁵ / ₈	1	2 ¹ / ₈	3 ¹¹ / ₁₆	15	10 ⁷ / ₈	7 ¹ / ₂	355



TYPE E 4-BOLT PILLOW BLOCK CONTINUED



For personal service and special requests, please call us at 800.242.4633.
 CAD drawings available upon request at no additional charge.
Furnished in non-expansion type only.

For nomenclature see pages 190 and 191.



Post Office Box 99, Batavia, Illinois 60510, USA
 630.584.4600, 800.242.4633, 630.584.1999 fax
 www.molinebearing.com, sales@molinebearing.com

MOLINE BEARING CO.

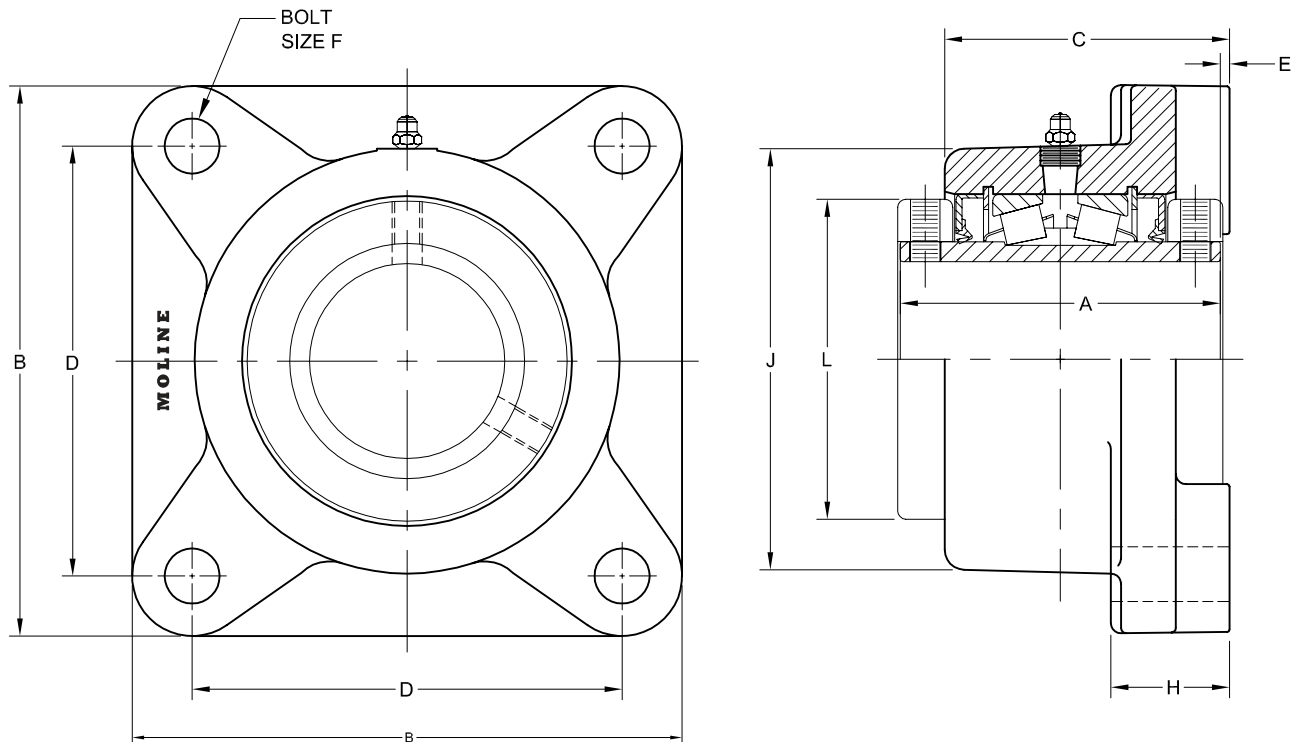
TEL # **800.242.4633**

TYPE E 4-BOLT FLANGE

SHAFT SIZE	MOLINE PART #	DIMENSIONS (INCHES)									WEIGHT LBS.
		A	B	C	D	E	F	H	J	L	
1 ³ / ₁₆ 1 ¹ / ₄	19311103 19311104	2 ³ / ₄	3 ³ / ₄	2 ¹¹ / ₁₆	2 ⁷ / ₈	¹ / ₁₆	³ / ₈	1	2 ¹⁵ / ₁₆	2 ¹ / ₄	4.5
1 ³ / ₈ 1 ⁷ / ₁₆ 35mm	19311106 19311107 19311035	3	4 ⁵ / ₈	2 ¹⁹ / ₃₂	3 ¹ / ₂	¹ / ₁₆	¹ / ₂	1 ¹ / ₁₆	3 ¹ / ₂	2 ³ / ₄	6.7
1 ¹ / ₂ 1 ⁵ / ₈ 1 ¹¹ / ₁₆ 40mm	19311108 19311110 19311111 19311040	3 ³ / ₈	5 ³ / ₈	2 ³¹ / ₃₂	4 ¹ / ₈	¹ / ₈	¹ / ₂	1 ³ / ₁₆	4 ³ / ₁₆	3 ¹ / ₈	10
1 ³ / ₄ 1 ⁷ / ₈ 1 ¹⁵ / ₁₆ 2 45mm 50mm	19311112 19311114 19311115 19311200 19311045 19311050	3 ¹ / ₂	5 ⁵ / ₈	3 ³ / ₃₂	4 ³ / ₈	¹ / ₈	¹ / ₂	1 ³ / ₁₆	4 ⁷ / ₁₆	3 ³ / ₈	12
2 ³ / ₁₆ 55mm	19311203 19311055	3 ³ / ₄	6 ¹ / ₄	3 ⁹ / ₃₂	4 ⁷ / ₈	¹ / ₈	⁵ / ₈	1 ³ / ₈	4 ⁷ / ₈	3 ³ / ₄	16
2 ¹ / ₄ 2 ⁷ / ₁₆ 2 ¹ / ₂ 60mm 65mm	19311204 19311207 19311208 19311060 19311065	4	6 ⁷ / ₈	3 ⁹ / ₁₆	5 ³ / ₈	³ / ₁₆	⁵ / ₈	1 ¹ / ₂	5 ⁵ / ₁₆	4	21



TYPE E 4-BOLT FLANGE



For personal service and special requests, please call us at 800.242.4633.
CAD drawings available upon request at no additional charge.

Furnished in non-expansion type only.

For nomenclature see pages 190 and 191.



MOLINE BEARING CO.

Post Office Box 99, Batavia, Illinois 60510, USA
630.584.4600, 800.242.4633, 630.584.1999 fax
www.molinebearing.com, sales@molinebearing.com

TEL # **800.242.4633**

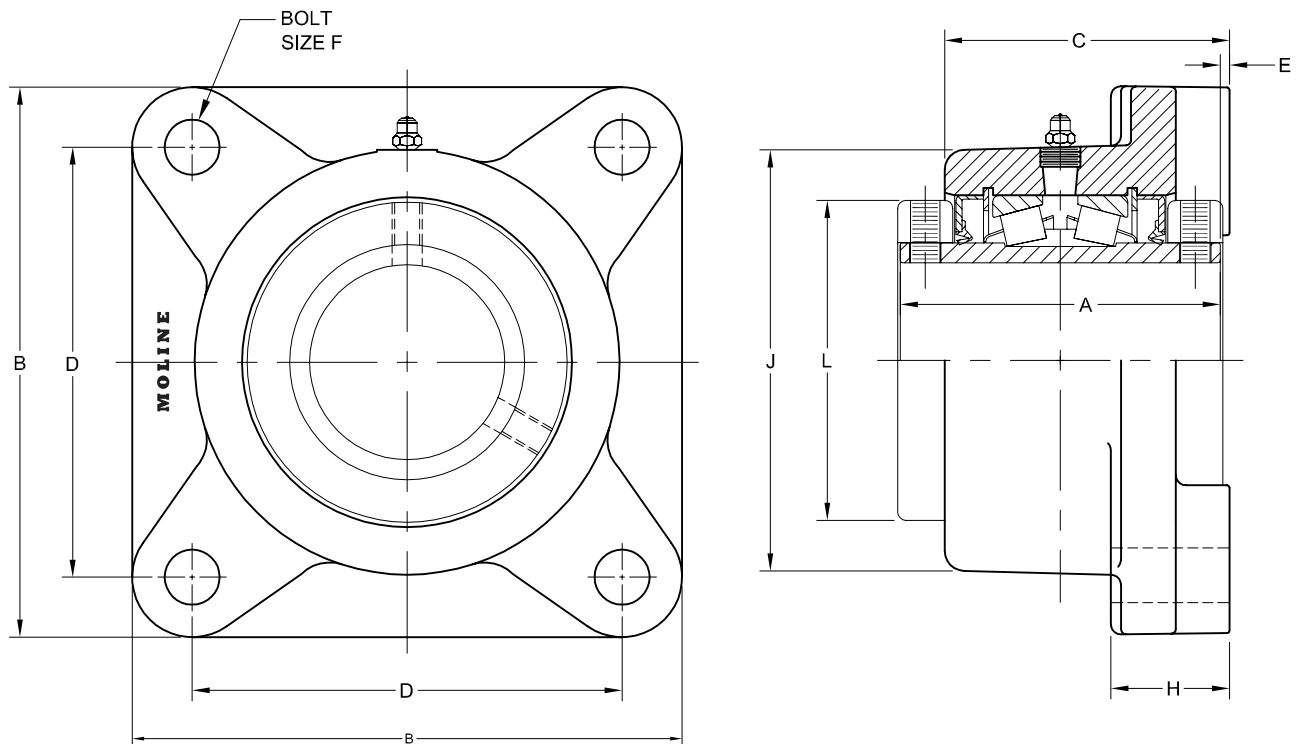
25

TYPE E 4-BOLT FLANGE CONTINUED

SHAFT SIZE	MOLINE PART #	DIMENSIONS (INCHES)									WEIGHT LBS.
		A	B	C	D	E	F	H	J	L	
2 ¹¹ / ₁₆ 2 ³ / ₄ 2 ¹⁵ / ₁₆ 3 70mm 75mm	19311211 19311212 19311215 19311300 19311070 19311075	4 ¹ / ₂	7 ³ / ₄	3 ¹⁵ / ₁₆	6	³ / ₁₆	³ / ₄	1 ⁵ / ₈	6	4 ¹¹ / ₁₆	28
3 ³ / ₁₆ 3 ¹ / ₄ 3 ⁷ / ₁₆ 3 ¹ / ₂ 80mm 85mm 90mm	19311303 19311304 19311307 19311308 19311080 19311085 19311090	5	9 ¹ / ₄	4 ¹ / ₂	7	¹ / ₄	³ / ₄	1 ⁷ / ₈	7 ¹ / ₄	5 ⁵ / ₁₆	46
3 ¹⁵ / ₁₆ 4 100mm	19311315 19311400 19311100	6 ¹ / ₄	10 ¹ / ₄	5 ⁵ / ₈	7 ³ / ₄	¹ / ₄	⁷ / ₈	2 ¹ / ₈	8 ¹ / ₄	5 ³ / ₄	74
4 ⁷ / ₁₆ 4 ¹ / ₂ 110mm 115mm	19311407 19311408 19311110m 19311115m	6 ³ / ₄	10 ⁷ / ₈	5 ¹⁵ / ₁₆	8 ³ / ₄	¹¹ / ₃₂	⁷ / ₈	2 ⁷ / ₁₆	8 ³ / ₄	6 ¹ / ₄	96



TYPE E 4-BOLT FLANGE CONTINUED



For personal service and special requests, please call us at 800.242.4633.
CAD drawings available upon request at no additional charge.

Furnished in non-expansion type only.

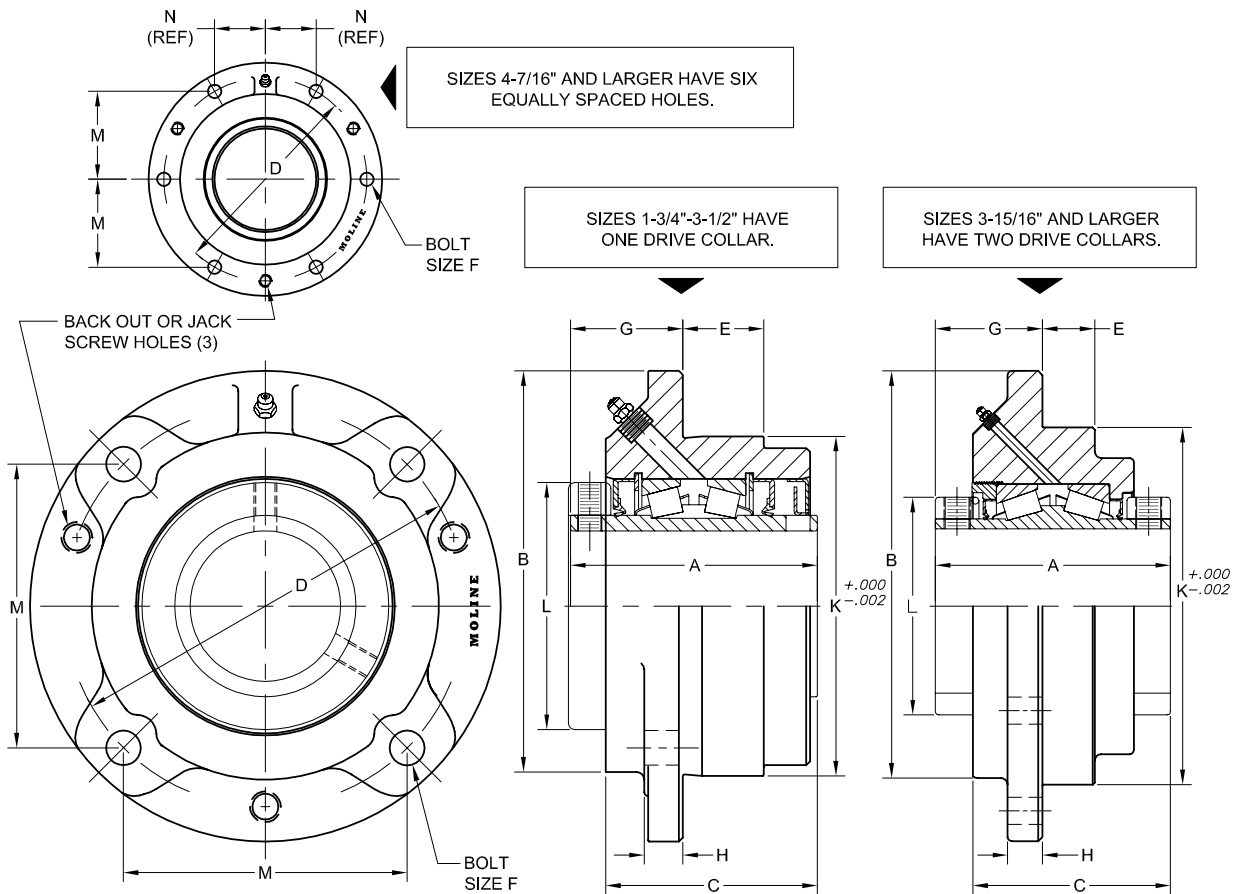
For nomenclature see pages 190 and 191.

TYPE E PILOTED FLANGE

SHAFT SIZE	MOLINE PART #	DIMENSIONS (INCHES)												WEIGHT LBS.
		A	B	C	D	E	F	G	H	K	L	M	N	
1 3/4 1 7/8 1 15/16 2 45mm 50mm	19331112 19331114 19331115 19331200 19331045 19331050	3 1/2	6 3/8	2 29/32	5 3/8	1 3/16	7/16	1 9/16	9/16	4 1/2	3 3/8	3.80	N/A	9.4
2 3/16 55mm	19331203 19331055	3 3/4	7 1/8	3 3/32	6	1 3/16	1/2	1 11/16	9/16	5	3 3/4	4.24	N/A	12
2 1/4 2 7/16 2 1/2 60mm 65mm	19331204 19331207 19331208 19331060 19331065	4	7 5/8	3 5/16	6 1/2	1 5/16	1/2	1 13/16	5/8	5 1/2	4	4.60	N/A	16
2 11/16 2 3/4 2 15/16 3 70mm 75mm	19331211 19331212 19331215 19331300 19331070 19331075	4 1/2	8 3/4	3 11/16	7 1/2	1 1/2	5/8	2	3/4	6 3/8	4 11/16	5.30	N/A	24
3 3/16 3 1/4 3 7/16 3 1/2 80mm 85mm 90mm	19331303 19331304 19331307 19331308 19331080 19331085 19331090	5	10 1/4	4 3/16	8 5/8	1 1/4	3/4	2 7/16	7/8	7 3/8	5 5/16	6.10	N/A	44
3 15/16 4 100mm	19331315 19331400 19331100	6 1/4	10 7/8	4 1/2	9 3/8	1 1/2	3/4	2 11/16	15/16	8 1/8	5 3/4	6.63	N/A	58
4 7/16 4 1/2 110mm 115mm	19331407 19331408 19331110 19331115M	6 3/4	13 1/2	4 5/8	11 3/4	1 1/2	3/4	3 1/32	1	10 1/4	6 1/4	5.09	2.94	93
4 15/16 5 125mm	19331415 19331500 19331125	7 1/4	14 3/4	5 1/16	12 3/4	1 3/4	7/8	2 31/32	1 1/4	11	7 1/4	5.52	3.19	122



TYPE E PILOTED FLANGE



Note: Sizes 1 3/4" - 3 1/2" have one drive collar.

Sizes 3 15/16" and larger have 2 collars.

Also, sizes 4 7/16" and larger units have 6 equally spaced holes. All other units have 4 holes.

For personal service and special requests, please call us at 800.242.4633.

CAD drawings available upon request at no additional charge.

Furnished in non-expansion type only.

For nomenclature see pages 190 and 191.



MOLINE BEARING CO.

Post Office Box 99, Batavia, Illinois 60510, USA
 630.584.4600, 800.242.4633, 630.584.1999 fax
 www.molinebearing.com, sales@molinebearing.com

TEL # **800.242.4633**

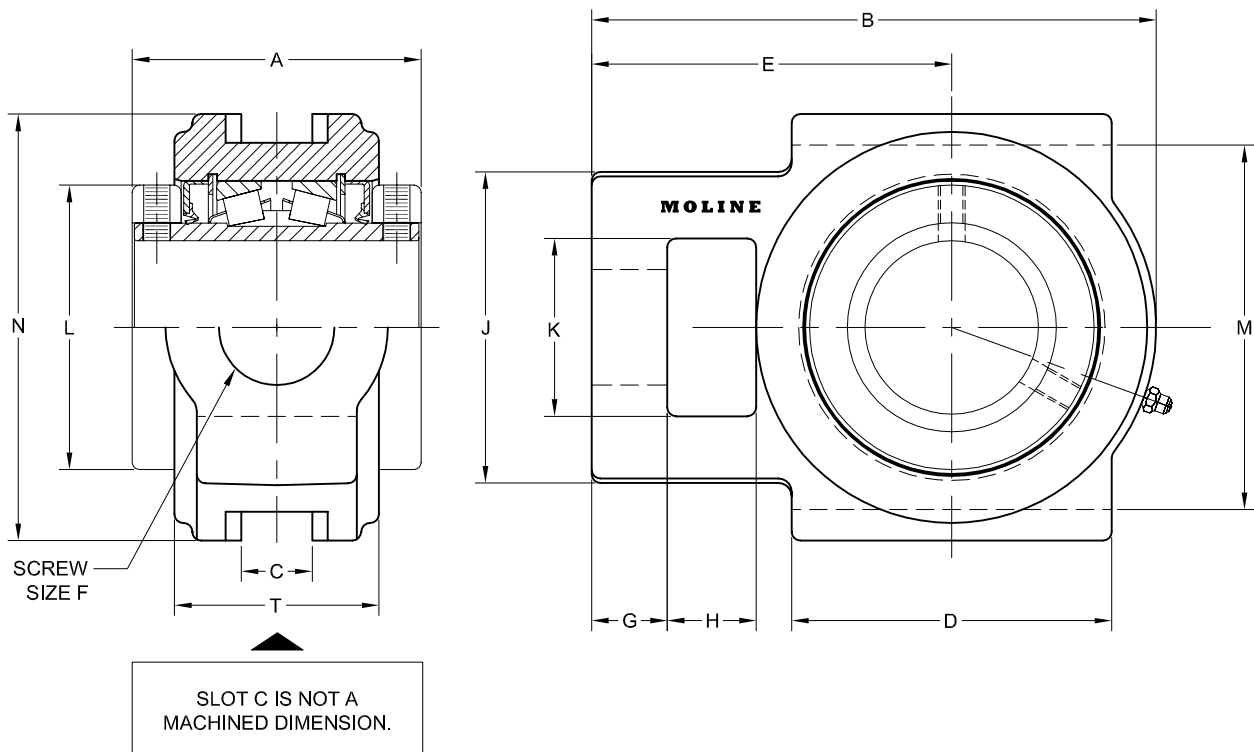
29

TYPE E WIDE SLOT TAKE-UP

SHAFT SIZE	MOLINE PART #	DIMENSIONS (INCHES)														WEIGHT LBS.
		A	B	C	D	E	F	G	H	J	K	L	M	N	T	
1 3/4	19351112	3 1/2	6 5/16	1 1/16	3 3/4	3 15/16	1	1 5/16	3/4	3 5/16	1 15/16	3 3/8	4	4 3/4	2 7/16	12
1 7/8	19351114															
1 15/16	19351115															
2	19351200															
45mm	19351045															
50mm	19351050															
2 3/16	19351203	3 3/4	7 1/8	1 3/16	3 3/4	4 5/8	1 1/8	1	1	3 7/8	2 1/4	3 3/4	4 1/2	5 1/4	2 9/16	16
55mm	19351055															
2 1/4	19351204	4	7 13/16	1 1/32	4 1/2	5 1/16	1 1/2	1 1/16	1 1/4	4 1/4	2 1/2	4	5 1/8	6	2 3/4	21
2 7/16	19351207															
2 1/2	19351208															
60mm	19351060															
65mm	19351065															
2 11/16	19351211	4 1/2	9 1/8	1 25/32	4 3/4	5 7/8	1 1/2	1 3/8	1 1/4	4 7/8	2 3/4	4 11/16	5 15/16	6 3/4	3	30
2 3/4	19351212															
2 15/16	19351215															
3	19351300															
70mm	19351070															
75mm	19351075															
3 3/16	19351303	5	10 1/4	1 25/32	6	6 3/8	1 3/4	1 1/16	1 5/8	4 7/8	2 7/8	5 5/16	6 13/16	7 13/16	3 13/16	45
3 1/4	19351304															
3 7/16	19351307															
3 1/2	19351308															
80mm	19351080															
85mm	19351085															
90mm	19351090															



TYPE E WIDE SLOT TAKE-UP



SLOT C IS NOT A MACHINED DIMENSION.



For personal service and special requests, please call us at 800.242.4633.
 CAD drawings available upon request at no additional charge.
Furnished in non-expansion type only.

For nomenclature see pages 190 and 191.