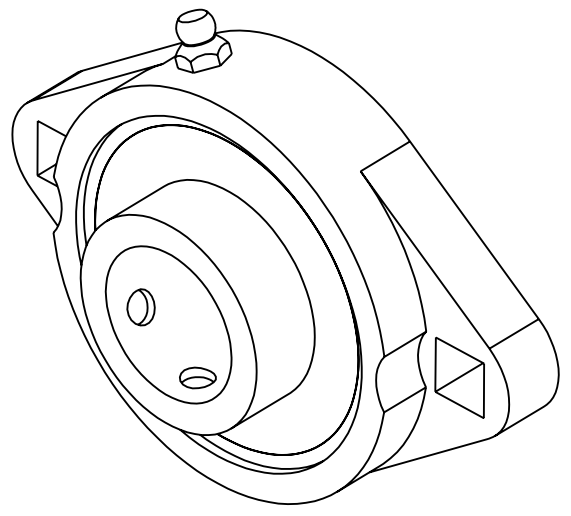


SECTION A-A  
SCALE 4 : 5



Model #: M3919

		WEIGHT							
		MATERIAL							
SIZE A		COATING							
		DRAWN	S.C.	10/27/22					
		APPROVED							
		CHECKED							
DWG. NO. S7315		THIRD ANGLE PROJECTION							
		PROPRIETARY AND CONFIDENTIAL <small>THE INFORMATION CONTAINED IN THIS DRAWING IS THE SOLE PROPERTY OF SOLVE IMG. ANY REPRODUCTION IN PART OR AS A WHOLE WITHOUT THE WRITTEN PERMISSION OF SOLVE IMG IS PROHIBITED.</small>		DATE	BY	REVISION DESCRIPTION		REV	
TITLE: FX206-18S									SCALE 1:1
									REV -