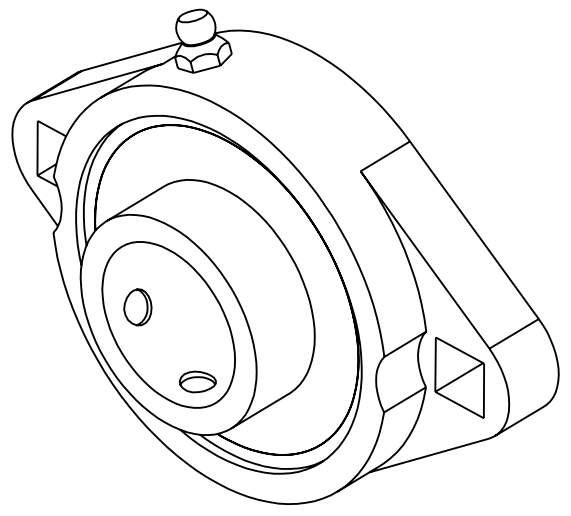


SECTION A-A
SCALE 4 : 5



Model #: M3920

		WEIGHT							
		MATERIAL							
SIZE A		COATING							
		DRAWN	S.C.	10/27/22					
		APPROVED							
		CHECKED			DATE	BY	REVISION DESCRIPTION	REV	
DWG. NO. S7316		THIRD ANGLE PROJECTION		TITLE: FX206-19S				SCALE 1:1	
		PROPRIETARY AND CONFIDENTIAL <small>THE INFORMATION CONTAINED IN THIS DRAWING IS THE SOLE PROPERTY OF SOLVE IMG. ANY REPRODUCTION IN PART OR AS A WHOLE WITHOUT THE WRITTEN PERMISSION OF SOLVE IMG IS PROHIBITED.</small>						REV -	