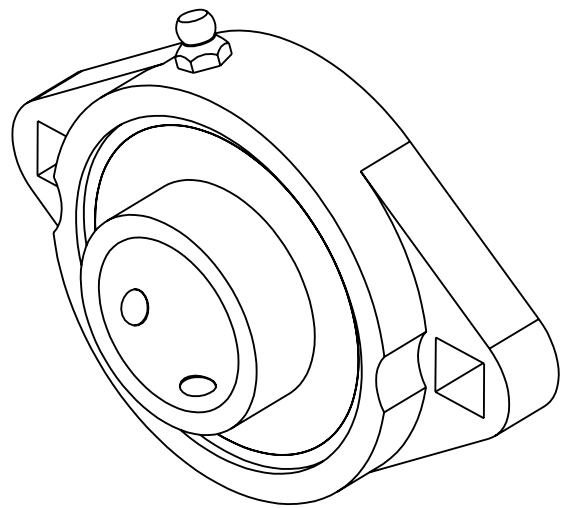


SECTION A-A
SCALE 4 : 5



Model #: M3921

		WEIGHT							
		MATERIAL							
		COATING							
		DRAWN	S.C.	10/27/22					
SIZE		APPROVED							
A		CHECKED			DATE	BY	REVISION DESCRIPTION	REV	
		THIRD ANGLE PROJECTION			TITLE: FX206-20S				SCALE 1:1
DWG. NO. S7317		PROPRIETARY AND CONFIDENTIAL <small>THE INFORMATION CONTAINED IN THIS DRAWING IS THE SOLE PROPERTY OF SOLVE IMG. ANY REPRODUCTION IN PART OR AS A WHOLE WITHOUT THE WRITTEN PERMISSION OF SOLVE IMG IS PROHIBITED.</small>							REV -