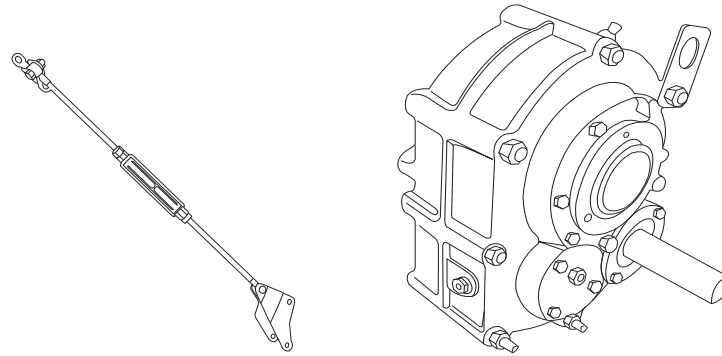




# SHAFT MOUNT SPEED REDUCER MODEL # SMR9-25/1



**SPECIFICATIONS - Exact Dimensional Drop-In For All Major Makes**

Box Size	Ratio	Output Bore
9	25:1	4-15/16" Max.

