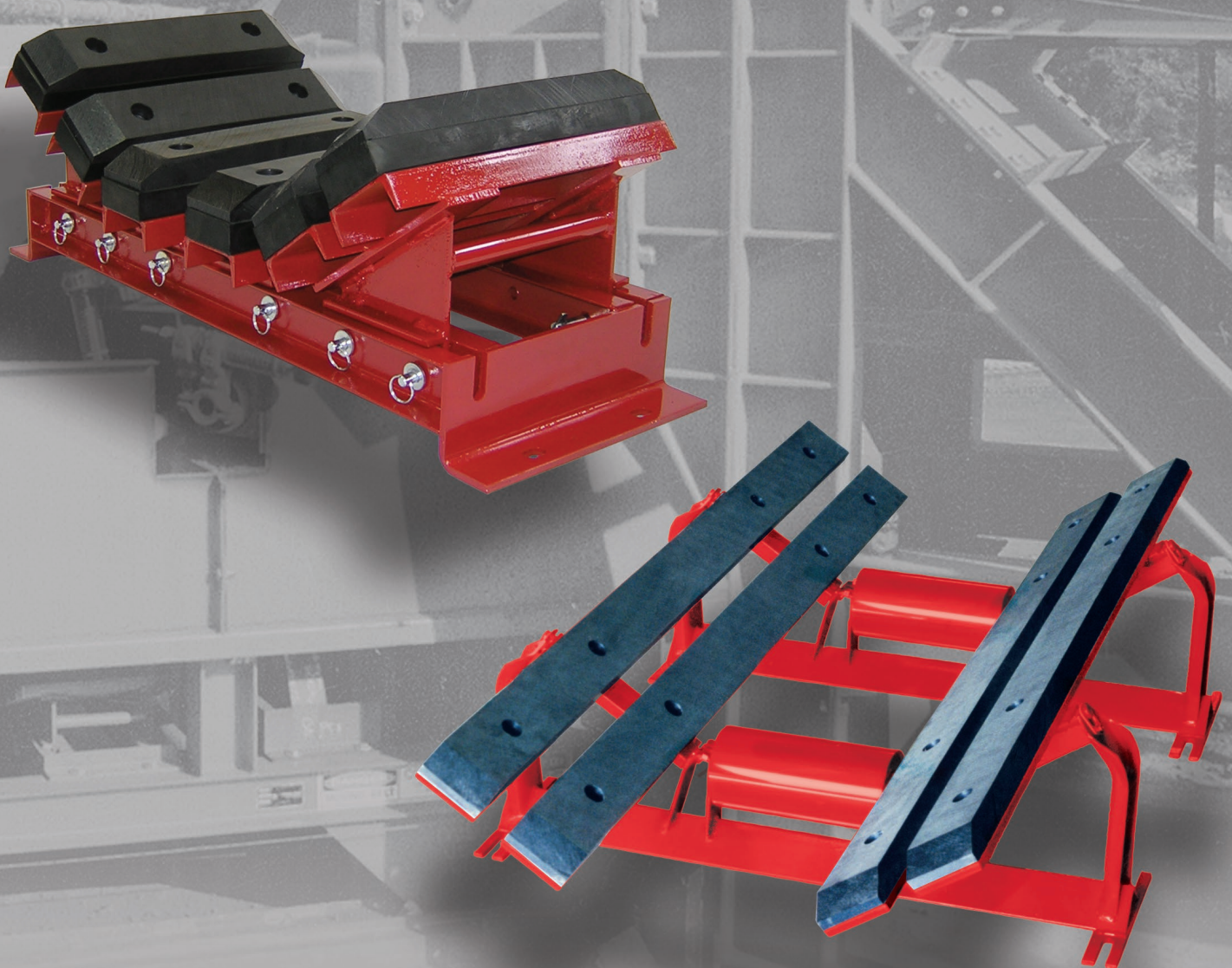


Impact Bed & Slide Seal

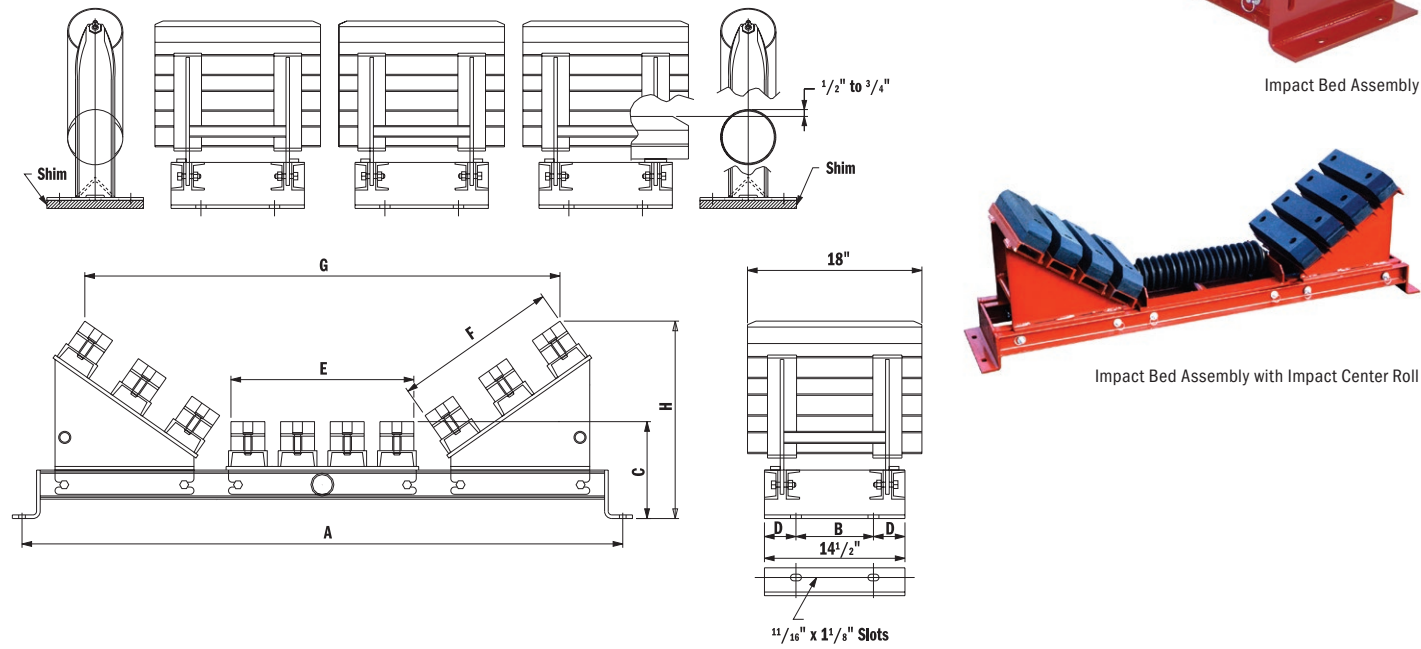
Conveyor Components

Product Overview



Impact Bed Assembly

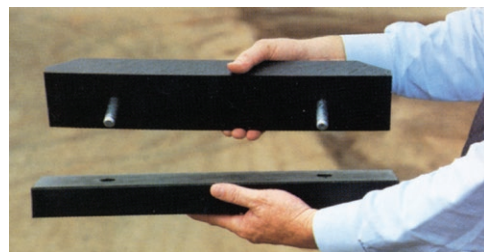
The Impact Bed assembly extends belt life and reduces downtime by supporting the conveyor belt and cushioning it against the shock of heavy loads and impact. Its modular design allows multiple units to be closely fitted to form the bed length needed. As shown in the picture below, the Impact Bed assembly is also offered with an impact center roll. Contact your sales representative for part numbers.



BW	20° Impact Bed	35° Impact Bed	45° Impact Bed	Dimensions					20°			35°			45°			
	Part Number	Part Number	Part Number	A	B	C	D	E	F	G	H	G	H	G	H	G	H	
24	60A5574-24	60A5570-24	60A5591-24	33	6	9 ³ / ₄	4 ¹ / ₄	8 ⁷ / ₈	9	26 ³ / ₄	12 ³ / ₄	24 ¹ / ₁₆	14 ¹ / ₁₆	20 ⁷ / ₁₆	16 ¹ / ₁₆			
30	60A5574-30	60A5570-30	60A5591-30	39	7	9 ⁹ / ₈	3 ³ / ₄	10 ⁷ / ₈	9	30 ³ / ₈	13 ¹ / ₈	27 ¹⁵ / ₁₆	14 ⁷ / ₈	24 ¹ / ₂	16 ¹⁵ / ₁₆			
36	60A5574-36	60A5570-36	60A5591-36	45	7	9 ⁵ / ₈	3 ³ / ₄	12 ⁷ / ₈	11	36 ¹ / ₈	13 ¹³ / ₁₆	33 ³ / ₁₆	16 ⁷ / ₈	29 ⁷ / ₁₆	18 ³ / ₈			
42	60A5574-42	60A5570-42	60A5591-42	51	7	9 ⁵ / ₈	3 ³ / ₄	14 ⁷ / ₈	13	41 ¹⁵ / ₁₆	14 ¹ / ₂	38 ¹ / ₂	17 ³ / ₄	34 ³ / ₁₆	19 ¹³ / ₁₆			
48	60A5574-48	60A5570-48	60A5591-48	57	8	10	3 ³ / ₄	16 ⁷ / ₈	15	47 ¹ / ₁₆	15 ¹ / ₂	43 ³ / ₄	19 ³ / ₄	39 ³ / ₁₆	21 ¹ / ₁₆			
54	60A5574-54	60A5570-54	60A5591-54	63	8	10	3 ³ / ₄	18 ⁷ / ₈	17	53 ⁷ / ₁₆	16 ³ / ₁₆	49 ¹ / ₁₆	20 ⁷ / ₁₆	43 ¹³ / ₁₆	23			
60	60A5574-60	60A5570-60	60A5591-60	69	8	10	3 ³ / ₄	20 ⁷ / ₈	19	59 ⁵ / ₈	16 ⁷ / ₈	54 ⁵ / ₁₆	21 ¹ / ₁₆	48 ¹ / ₁₆	24 ³ / ₈			
66	60A5574-66	60A5570-66	60A5591-66	75	8	10 ³ / ₈	3 ³ / ₄	22 ⁷ / ₈	21	64 ⁷ / ₈	17 ¹⁵ / ₁₆	59 ¹ / ₁₆	23 ¹ / ₁₆	53 ¹ / ₂	26 ³ / ₁₆			
72	60A5574-72	60A5570-72	60A5591-72	81	8	10 ³ / ₈	3 ³ / ₄	24 ⁷ / ₈	23	70 ¹ / ₁₆	18 ⁷ / ₈	64 ⁷ / ₈	24 ¹ / ₄	58 ⁷ / ₈	27 ⁷ / ₈			

Replacement Parts

UHMW Replacement Bars Only			
BW	Part Number	Size of Bars	Wt. Lbs.
All	60KU9905-18	UHMW 3 ¹ / ₂ " x 1 ¹ / ₂ " x 18"	3
	60KU9906-18	Rubber 3 ¹ / ₂ " x 1 ¹ / ₂ " x 18"	4



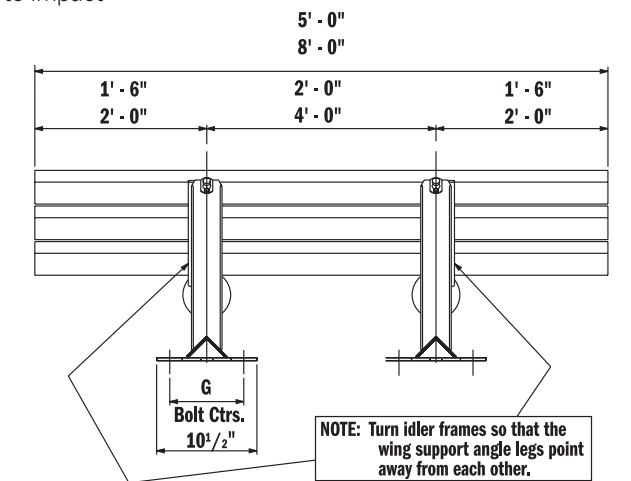
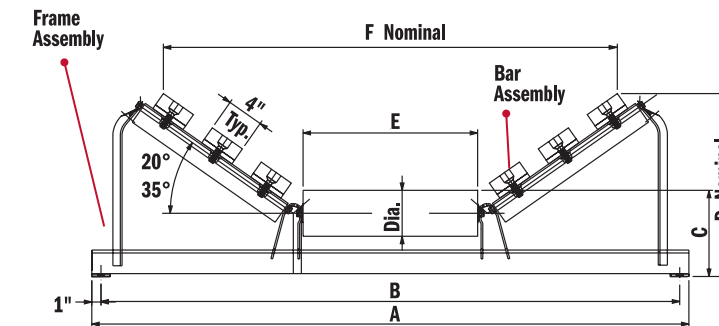
UHMW & Rubber

Slide Seal Assembly

The Slide Seal assembly is a simple and cost effective way to provide continuous support of your conveyor belt against the skirting material, resulting in a positive seal. By utilizing two standard troughing idler frames with center rolls and UHMW/ steel support bars with support mounting brackets, this unit will provide a positive seal in your loading area with reduced belt drag. For impact loading, refer to Impact Bed Assembly.



Slide Seal Assembly



NOTE: Turn idler frames so that the wing support angle legs point away from each other.

BW	Deg.	Frame Assembly		Bar Assembly							5" Dia.			6" Dia.			
		Qty.	5" Dia.	6" Dia.	Qty.	5 Ft. Section	8 Ft. Section	A	B	E	G	C	D	F	C	D	F
18	20°	2	60AK11153-18	60AK11163-18	2	60AK11118-60	60AK11118-96	29	27	7 ⁷ / ₈	6 ¹ / ₄	8 ⁵ / ₈	10 ¹¹ / ₁₆	18 ³ / ₄	9 ⁷ / ₈	11 ³ / ₁₆	18 ³ / ₈
18	35°	2	60AK11119-18	60AK11164-18	2	60AK11118-60	60AK11118-96						12	16 ¹⁵ / ₁₆	9 ⁷ / ₈	12 ⁷ / ₁₆	16 ³ / ₈
24	20°	2	60AK11153-24	60AK11163-24	4	60AK11118-60	60AK11118-96	35	33	9	6 ¹ / ₄	8 ⁵ / ₈	11 ³ / ₄	26 ¹ / ₂	9 ⁷ / ₈	12 ⁷ / ₁₆	26 ¹ / ₈
24	35°	2	60AK11119-24	60AK11164-24	4	60AK11118-60	60AK11118-96						13 ³ / ₄	23 ¹⁵ / ₁₆	9 ⁷ / ₈	14 ⁷ / ₈	23 ³ / ₈
30	20°	2	60AK11153-30	60AK11163-30	4	60AK11118-60	60AK11118-96	41	39	11	6 ¹ / ₄	9	12 ⁷ / ₈	31 ³ / ₁₆	9 ⁷ / ₂	13 ³ / ₁₆	30 ⁷ / ₈
30	35°	2	60AK11119-30	60AK11164-30	4	60AK11118-60	60AK11118-96						14 ¹⁵ / ₁₆	28 ⁵ / ₁₆	9 ⁷ / ₂	15 ⁵ / ₁₆	27 ³ / ₄
36	20°	2	60AK11153-36	60AK11163-36	6	60AK11118-60	60AK11118-96	47	45	13	6 ¹ / ₄	9	13 ⁵ / ₁₆	36 ¹⁵ / ₁₆	9 ⁷ / ₂	13 ³ / ₄	36 ³ / ₈
36	35°	2	60AK11119-36	60AK11164-36	6	60AK11118-60	60AK11118-96						16 ⁷ / ₈	33 ³ / ₁₆	9 ⁷ / ₂	16 ¹ / ₂	33
42	20°	2	60AK11153-42	60AK11163-42	6	60AK11118-60	60AK11118-96	53	51	15	6 ¹ / ₄	9	14	42 ¹ / ₁₆	9 ⁷ / ₂	14 ⁷ / ₁₆	42 ³ / ₈
42	35°	2	60AK11119-42	60AK11164-42	6	60AK11118-60	60AK11118-96						17 ⁷ / ₈	38 ⁷ / ₈	9 ⁷ / ₂	17 ⁷ / ₈	38 ³ / ₁₆
48	20°	2	60AK11153-48	60AK11163-48	6	60AK11118-60	60AK11118-96	59	57	17	7	9 ⁷ / ₈	15 ⁵ / ₁₆	48 ¹ / ₂	9 ⁷ / ₈	15 ¹ / ₂	48 ⁷ / ₈
48	35°	2	60AK11119-48	60AK11164-48	6	60AK11118-60	60AK11118-96						18 ³ / ₄	44 ⁷ / ₈	9 ⁷ / ₈	19 ¹ / ₁₆	43 ³ / ₁₆
54	20°	2	60AK11153-54	60AK11163-54	6	60AK11118-60	60AK11118-96	65	63	19	7	9 ⁷ / ₈	15 ¹ / ₁₆	54 ³ / ₄	9 ⁷ / ₈	16 ¹ / ₁₆	53 ⁷ / ₈
54	35°	2	60AK11119-54	60AK11164-54	6	60AK11118-60	60AK11118-96						19 ¹⁵ / ₁₆	49 ⁷ / ₁₆	9 ⁷ / ₈	20 ¹ / ₁₆	48 ¹³ / ₁₆
60	20°	2	60AK11153-60	60AK11163-60	8	60AK11118-60	60AK11118-96	71	69	21	7	9 ⁷ / ₈	16 ³ / ₈	60	9 ⁷ / ₈	16 ⁷ / ₈	59 ⁷ / ₈
60	35°	2	60AK11119-60	60AK11164-60	8	60AK11118-60	60AK11118-96						21 ¹ / ₁₆	54 ¹ / ₁₆	9 ⁷ / ₈	21 ¹ / ₁₆	54 ⁷ / ₈

Replacement Parts

Wing Support Insert					
5" Dia., 20 or 35 Degree			6" Dia., 20 or 35 Degree		
BW	Part Number	Wt.	BW	Part Number	Wt.
18	60DK11117-0702	3	18	60DK11179-0702	3
24	60DK11117-0900	4	24	60DK11179-0900	4
30	60DK11117-1100	5	30	60DK11179-1100	5
36	60DK11117-1300	5	36	60DK11179-1300	5
42	60DK11117-1500	6	42	60DK11179-1500	6
48	60DK11117-1700	7	48	60DK11179-1700	7
54	60DK11117-1900	8	54	60DK11179-1900	8
60	60DK11117-2100	9	60	60DK11179-2100	9

UHMW Replacement Bars Only			
BW	Part Number	Size of Bars	Wt. Lbs.
5'	60KK11114-60	UHMW 4" x 1 ¹ / ₂ " x 60"	12
8'	60KK11114-96	UHMW 4" x 1 ¹ / ₂ " x 96"	20

Slide Seal Bar Assembly		
Length	Part Number	Wt. Lbs.
5'	60AK11118-60	47
8'	60AK11118-96	75



JOYGLOBAL



Product designs, specifications and/or data in this document are provided for informational purposes only and are not warranties of any kind. Product designs and/or specifications may be changed at any time without notice. The only warranties that apply to sales of products and services are Joy Global's standard written warranties, which will be furnished upon request.

Joy Global, Joy, P&H, Slide Seal and related logos are trademarks of Joy Global Inc. or one of its affiliates.
© 2014 Joy Global Inc. or one of its affiliates. All rights reserved.



joyglobal.com