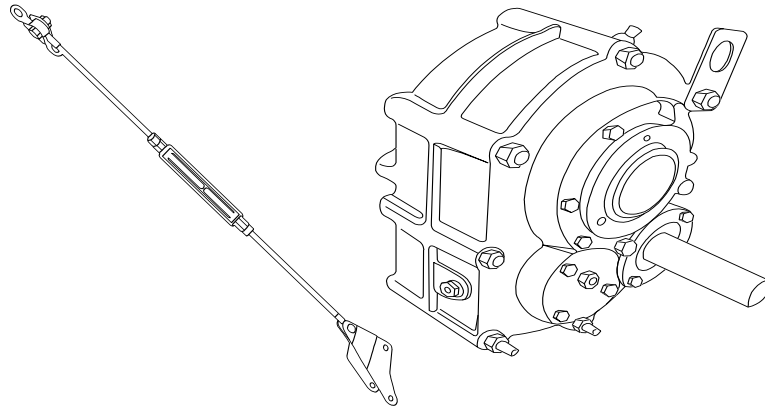




SHAFT MOUNT SPEED REDUCER MODEL # SMR12-25/1



SPECIFICATIONS - Exact Dimensional Drop-In For All Major Makes

Box Size	Ratio	Output Bore
12	25:1	6-1/2" Max.

