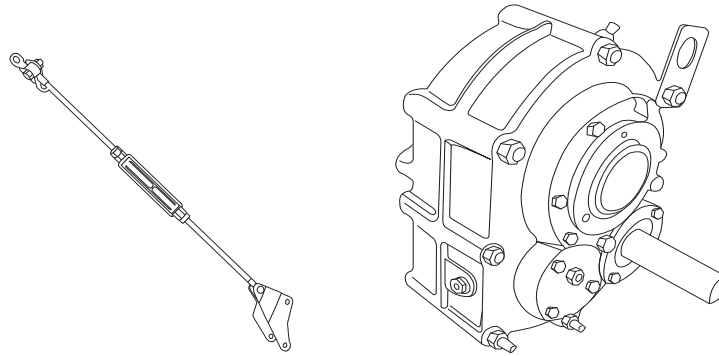


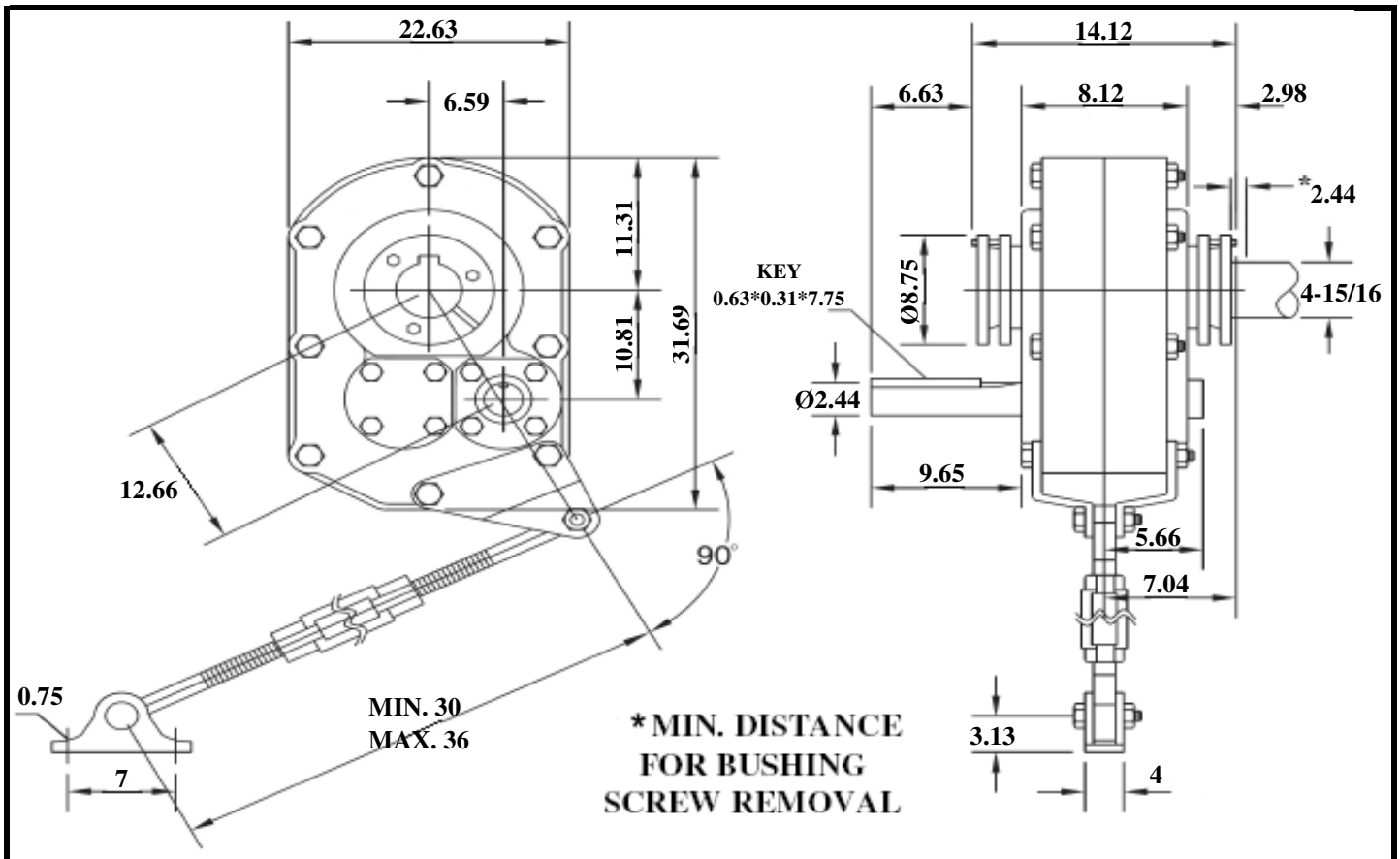


# SHAFT MOUNT SPEED REDUCER MODEL # SMR9-15/1



**SPECIFICATIONS - Exact Dimensional Drop-In For All Major Makes**

| Box Size | Ratio | Output Bore   |
|----------|-------|---------------|
| 9        | 15:1  | 4-15/16" Max. |



REVISED 08/18/08