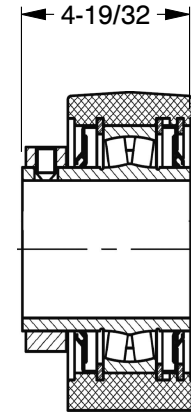
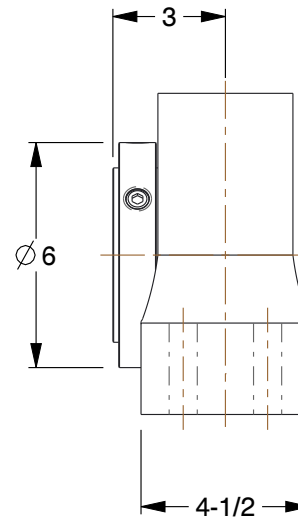
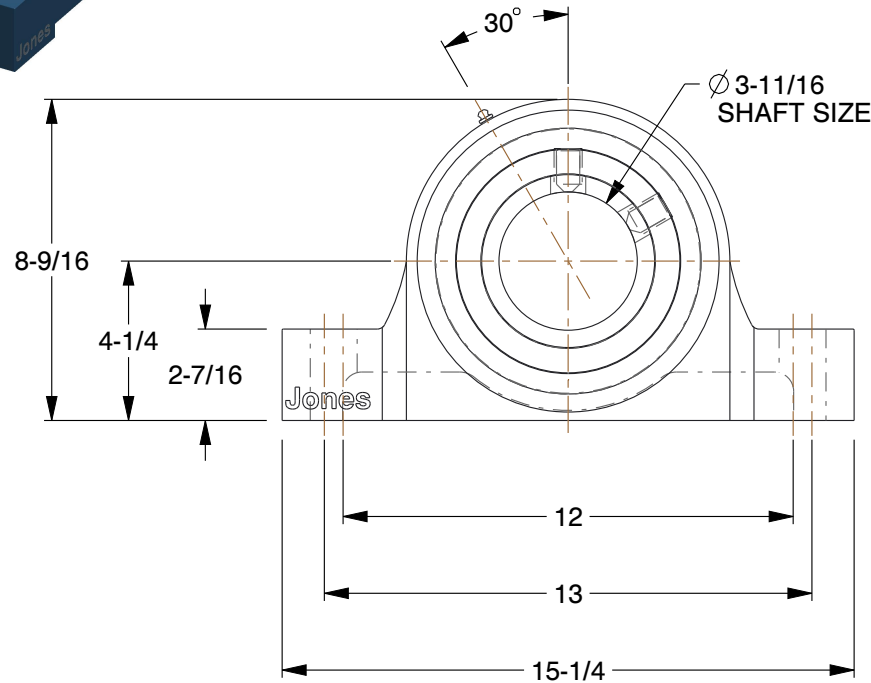


BOLT HOLE DETAILS



NON-EXPANSION(NXP)

**NOTES:**

1. FULLY SELF-ALIGNING
2. FIXED AND EXPANSION UNITS
3. APPROX. WEIGHT : 55 LBS
4. ALL DRAWING DIMENSIONS ARE IN INCH.
5. DIMENSIONS ARE FOR REFERENCE ONLY, SUBJECT TO CHANGE WITHOUT NOTICE.



Jones Bearing Company  
 1062A, Hwy 72 East,  
 Pelham, AL 35124, USA  
 Phone: (205) 663-3002  
 Fax: (205) 664-3351  
 Email: sales@jonesbearing.com

This drawing is the property of Jones Bearing Company. It contains confidential, proprietary information that is Jones Bearing Company property. Do not disclose to or duplicate for others except as authorized by Jones Bearing Company.

Tolerances (Inch)  
 .xx = ± .01  
 .xxx = ± .005  
 x° = ± 1°  
 or As Noted

SCALE 0.20

COMPONENT	PILLOW BLOCKS	
<b>JE2311F</b> PILLOW BLOCKS (4-BOLT) JE-2000	DATE	05/10/19
	SHEET	1 of 1